



► Model 2001-130 and Equinox

High Power, Directional Rotating Siren

The Federal Signal 2001-130 and Equinox sirens is a high power, rotating, unidirectional outdoor warning siren. The high-decibel output provides maximum coverage with minimum installation cost. Radio/cellular/satellite or wireless IP activation can further minimize installation costs by eliminating the need for leased dedicated control lines.

The siren's projector produces a 60-degree projection of sound which rotates at 3 RPM and can produce three distinct warning signals: steady, wail and fast wail. The siren will supply a minimum of 15 minutes of full power output from its batteries after AC power loss. The siren controls are available with battery operation, solar, AC operation, and AC operation with battery back-up, one-way and two-way radio control, wired or wireless Ethernet, satellite/cellular or landline. The 2001 Series is offered in low frequency (500 Hz) or mid-range frequency (790 Hz).

Ideal applications for this warning siren include hazardous weather conditions, fires, floods, chemical spills and other types of community or facility emergencies.

FEATURES

- High-powered rotating siren for maximum coverage
- Available in low and mid-range frequency
- Three distinct warning signals
- AC or Solar powered with battery operation or back-up
- Weather-resistant coating

High Power, Directional Rotating Siren (2001-130/Equinox)

SPECIFICATIONS

Power:¹

Sirens can be powered from 120VAC, 240VAC, with battery back-up or battery operation. Solar powering can also be provided

Signal Information:	2001-130	Equinox
Signal /Sweep Rate	Frequency Range	500 Hz
Steady /Continuous	790 Hz	
Wail /10 sec.	470-790 Hz	180-500 Hz
Fast Wail /3.5 sec.	600-790 Hz	300-500 Hz
Coverage: ²	2001-130	Equinox
70dB	Up to 6,500'	Up to 6,100'
60dB	Up to 13,200'	Up to 12,200'

Pole Mounts:

Wood, steel, composite or concrete poles can be provided.

Contact Federal Signal for details

Communications:

Federal Signal can supply one-way and two-way communications.

Radio, IP, Landline, Satellite and Cellular can be combined to provide a robust alerting solution

Operating Temperature:³ -22°F to 140°F -30°C to 60°C

Dimensions H x W x D: 62" x 37" x 41"
 (157 cm x 94 cm x 104 cm)

Net Weight:	420 lbs	190 kg
Shipping Weight:	460 lbs	205 kg
Equinox Net Weight:	390 pounds	159 kg
Equinox Shipping Weight:	460 pounds	205 kg

HOW TO ORDER

Contact our Federal Signal Sales Engineers to design a system that meets your specific requirements.

Description

Siren Ordering Information:

Rotating electro-mechanical siren 130 dBc +/- 1dBc @ 100' (30.5m) 48VDC, pole mount included

Part Number

2001-130

Rotating electro-mechanical siren, low frequency, 125 dBc +/- 1dBc @ 100' (30.5m) 48VDC, pole mount included

Equinox

Siren Control Ordering Information:

One-way FC Controller, 120VAC operation
 Two-way FC Controller, 120VAC operation
 One-way FC Controller, 120VAC to battery operation
 Two-way FC Controller, 120VAC to battery operation

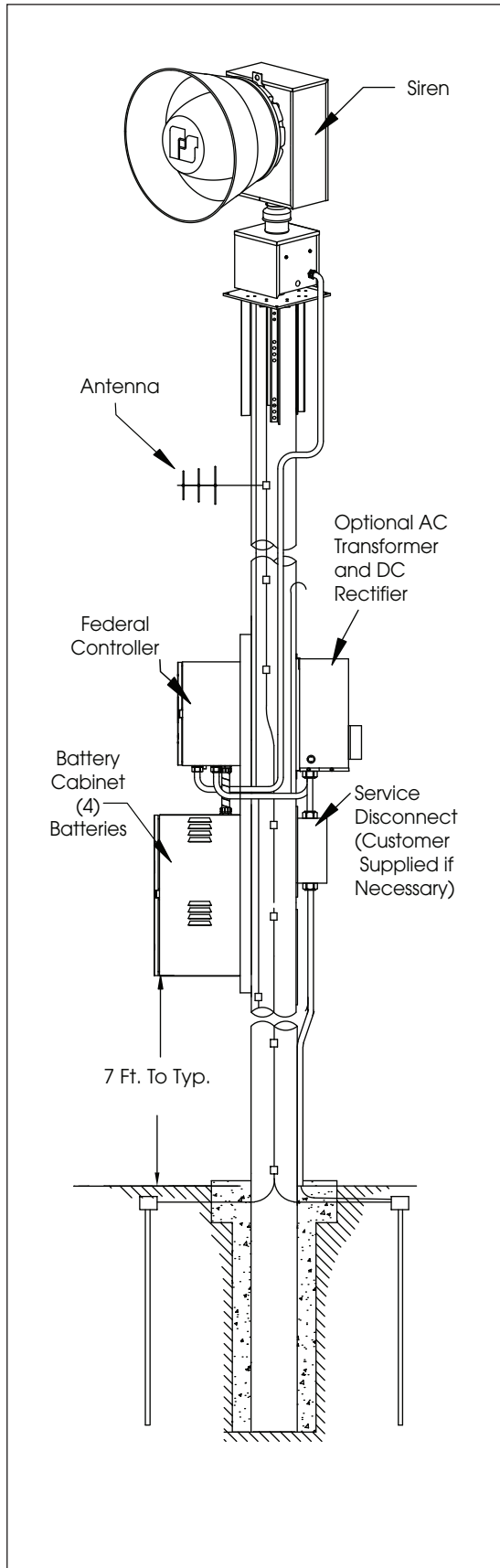
FC/H/U
FCTBD/H/U
DCFCB/H/U⁴
DCFCTBD/H/U⁴

Command and Control for Multiple Siren Installation:

Console for siren activation (R for rack mount)
 Commander software for PC based siren activation, monitoring and control

SS2000+/R
SFCD⁵

¹ Contact Federal Signal for powering options
² Actual coverage is dependent on many factors, contact Federal Signal for sound analysis of your specific location
³ The siren can operate throughout this temperature range provided that battery temperature is maintained at 18°C or higher
⁴ Batteries not included
⁵ See product page for additional information





► Model 508-128

High Power, Directional Rotating Siren

Federal Signal's 508-128 siren is a high power, rotating, unidirectional, 500 Hz outdoor warning siren that offers an anechoic chamber-certified of 128 dBc. The high-decibel output provides maximum coverage with minimum installation cost. Radio activation can further minimize installation costs by eliminating the need for leased dedicated control lines.

The siren rotates at 3 RPM and can produce three distinct warning signals: steady, wail and fast wail. The 508-128 siren will supply a minimum of 15 minutes of full power output from its batteries after AC power loss. The siren controls are available with battery operation, Solar AC operation, and AC operation with battery back-up, one-way and two-way radio control, wired or wireless Ethernet, satellite, cellular or landline.

Ideal applications for these warning sirens include hazardous weather conditions, fires, floods, chemical spills and other types of emergencies, the 508-128 siren is an excellent choice to protect any community.

F E A T U R E S

- High-powered rotating siren for maximum coverage
- 500 Hz, 128 dBc output
- Three distinct warning signals
- AC or Solar powered with battery operation or back-up
- Weather-resistant coating

High Powered Outdoor Siren (508-128 Siren)

SPECIFICATIONS

Power:¹

Siren can be powered from 120VAC, 240VAC, with battery back-up or battery operation. Solar powering can also be provided

Coverage: ²	70 dB	7,300' Calculated ²
	60 dB	14,700' Calculated ²

Signal Information:³

Signal /Sweep Rate	Frequency Range	Sweep Rate
Steady /Continuous	500 Hz	N.A.
Wail /10 sec.	180-500 Hz	10 sec.
Fast Wail /3.5 sec.	300-500 Hz	3.5 sec.

Pole Mounts:

Wood, steel, composite or concrete poles can be provided.

Contact Federal Signal for details

Communications:

Federal Signal can supply one-way and two-way communications.

Radio, IP, Landline, Satellite and Cellular can be combined to provide a robust alerting solution

Operating Temperature:⁴ -22°F to 140°F / -30°C to 60°C

Dimensions Height x Width x Depth: 70.1" x 53.4" x 43.1"
(1780.5mm x 1356.4mm x 1094.7mm)

Shipping Weight: 590 lbs 268 kg w/mtg. legs

Siren Weight: 430 lbs 195 kg

HOW TO ORDER

Contact our Federal Signal Sales Engineers to design a system that meets your specific requirements.

Description

Part Number

Siren Ordering Information:

Rotating electro-mechanical siren 128 dBc
+/- 1 dBc 48VDC, pole mount included **508-128**

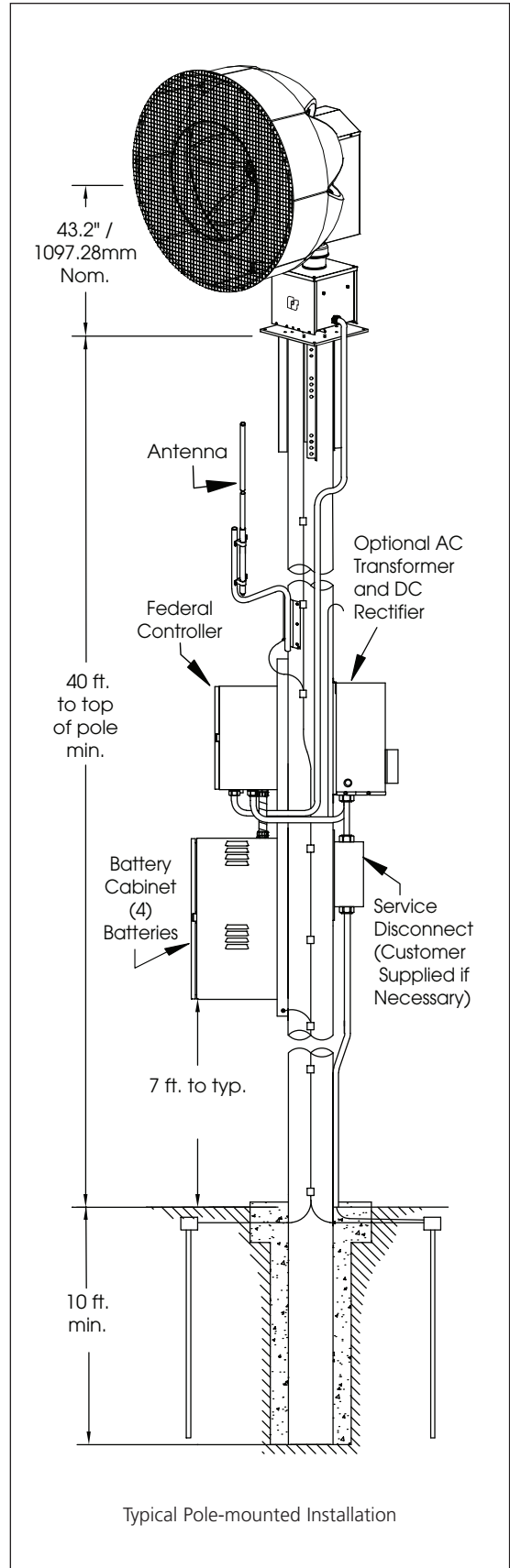
Siren Control Ordering Information:

One-way FC Controller, 120VAC operation	FC/H/U
Two-way FC Controller, 120VAC operation	FCTBD/H/U
One-way FC Controller, 120VAC to battery operation	DCFCB/H/U⁴
Two-way FC Controller, 120VAC to battery operation	DCFCTBD/H/U⁴

Command and Control for Multiple Siren Installation:

Console for siren activation (R for rack mount)	SS2000+/R
Commander software for PC based siren activation, monitoring and control	SFCD⁵

¹ Contact Federal Signal for powering options
² Actual coverage is dependent on many factors, contact Federal Signal for sound analysis of your specific location
³ The siren can operate throughout this temperature range provided that battery temperature is maintained at 18°C or higher
⁴ Batteries not included
⁵ See Product Selection Guide for ordering options





► Model Eclipse8

Omni-Directional Siren

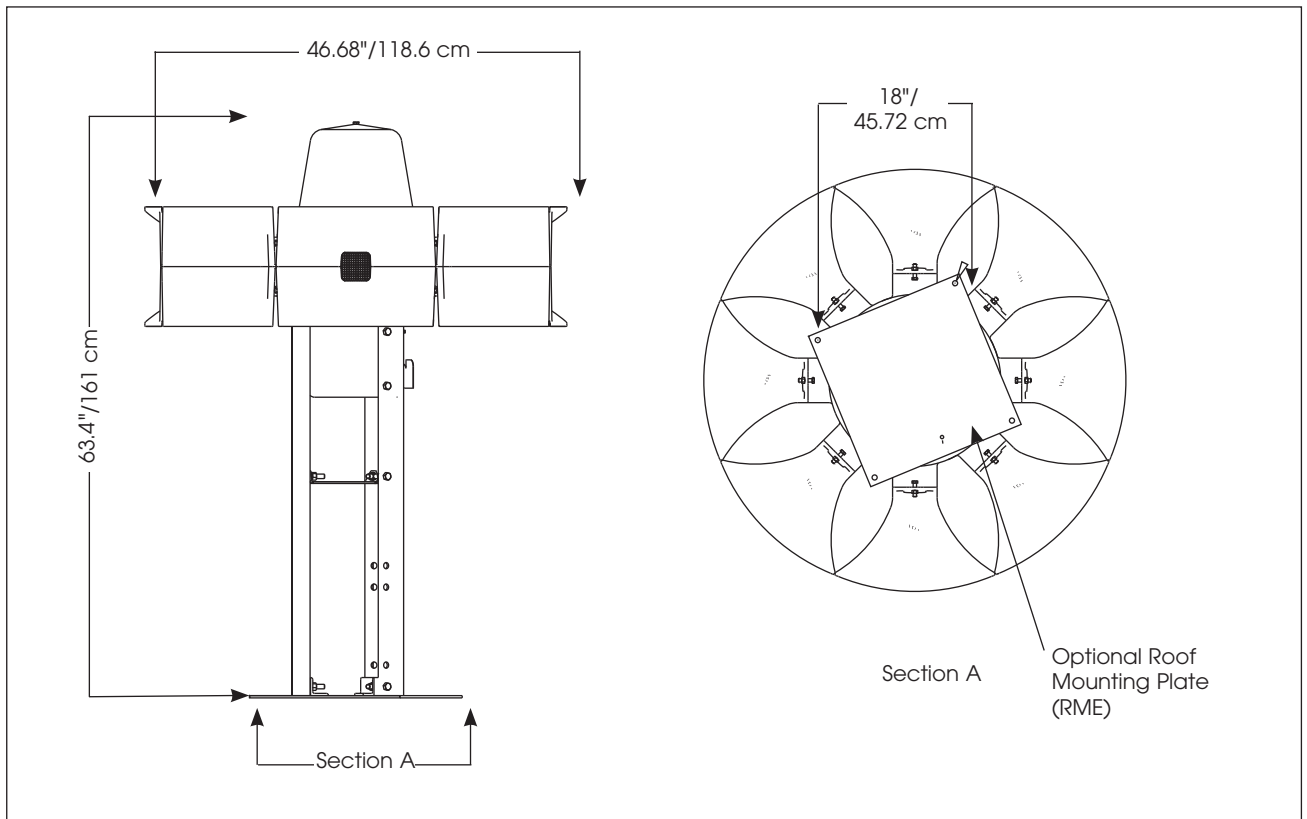
The Eclipse8 is a mid-sized DC-powered omni-directional siren for outdoor warning that produces high intensity warning signals. This powerful and lightweight outdoor siren provides coverage with a maximum sound pressure level of 115 dBc at 100 feet. The high decibel output provides maximum coverage with minimum installation costs. Operating from 48VDC, the siren utilizes the DC motor of our 2001 siren series for proven reliability.

The siren's eight projector horns covers a 360° omni-directional area, with the capability of producing three signal options: steady, wail and fast wail. The Eclipse8 will supply a minimum of 15 minutes of siren operation from its batteries even after 24 hours without AC power. The siren controls are available with battery operation, AC operation and AC operation with battery back-up. One-way and two-way radio control or landline options are available.

F E A T U R E S

- Omni-directional for 360° coverage
- Three distinct warning signals
- Can operate from batteries directly, or using optional AC with battery back-up
- Full battery operation or battery back-up option
- High efficiency design produces 115 dBc @ 100' while making moderate power demands
- Optional roof mount stand
- 100% aluminum design

Omni-Directional Battery Powered Siren (Eclipse8)



SPECIFICATIONS

Operating Temperature:	-22°F to 140°F	-30°C to 60°C
Effective Range @ 70 dBc:	2200'	
Height:	63.4"	161.0 cm
Width:	46.68"	118.6 cm
Net Weight:	255 lbs	116.0 kg
Shipping Weight:	380 lbs	173.0 kg

HOW TO ORDER

Contact our Federal Signal Sales Engineers to design a system that meets your specific requirements.

Description

Part Number

Siren Ordering Information:

Omni-directional siren, includes wood pole mount hardware

Eclipse8

Mounting Ordering Information:

Roof Mount Equipment (optional)

RME

Siren Control Ordering Information:

Eclipse8 Siren Control AC operated, 208 or 220/240VAC (specify voltage). NEMA 4X aluminum control cabinet, (2) 48VDC contactors, and transformer/rectifier lbs / 53kg

2001-AC

Federal Controller 120VAC NEMA 4X aluminum control cabinet, (4) chargers (2) 48VDC contactors, and NEMA 3R aluminum battery cabinet. (4) preset siren functions. Radio not included. 224 lbs / 102Kg

DCFCB



► Model 2

Omni-Directional Siren

Federal Signal's Model 2 siren is the most commonly used siren for fire station and industrial plant alerting. The siren is an outdoor warning siren providing omni-directional coverage capable of producing intense warning signals over a large area. The siren is typically installed on a roof or on a standard utility pole.

The Model 2 is a mechanical single tone siren capable of producing 102 dBc @ 100' while making only moderate power source demands. The Model 2 has a high powered AC motor which operates from either 120VAC/DC or 240VAC/DC. A Federal Signal Model RC2W-120 or -240 motor starter (purchased separately) is required to operate this siren. The Federal Signal motor starter is recommended due to the ability to handle the specific requirements of the Model 2 siren.

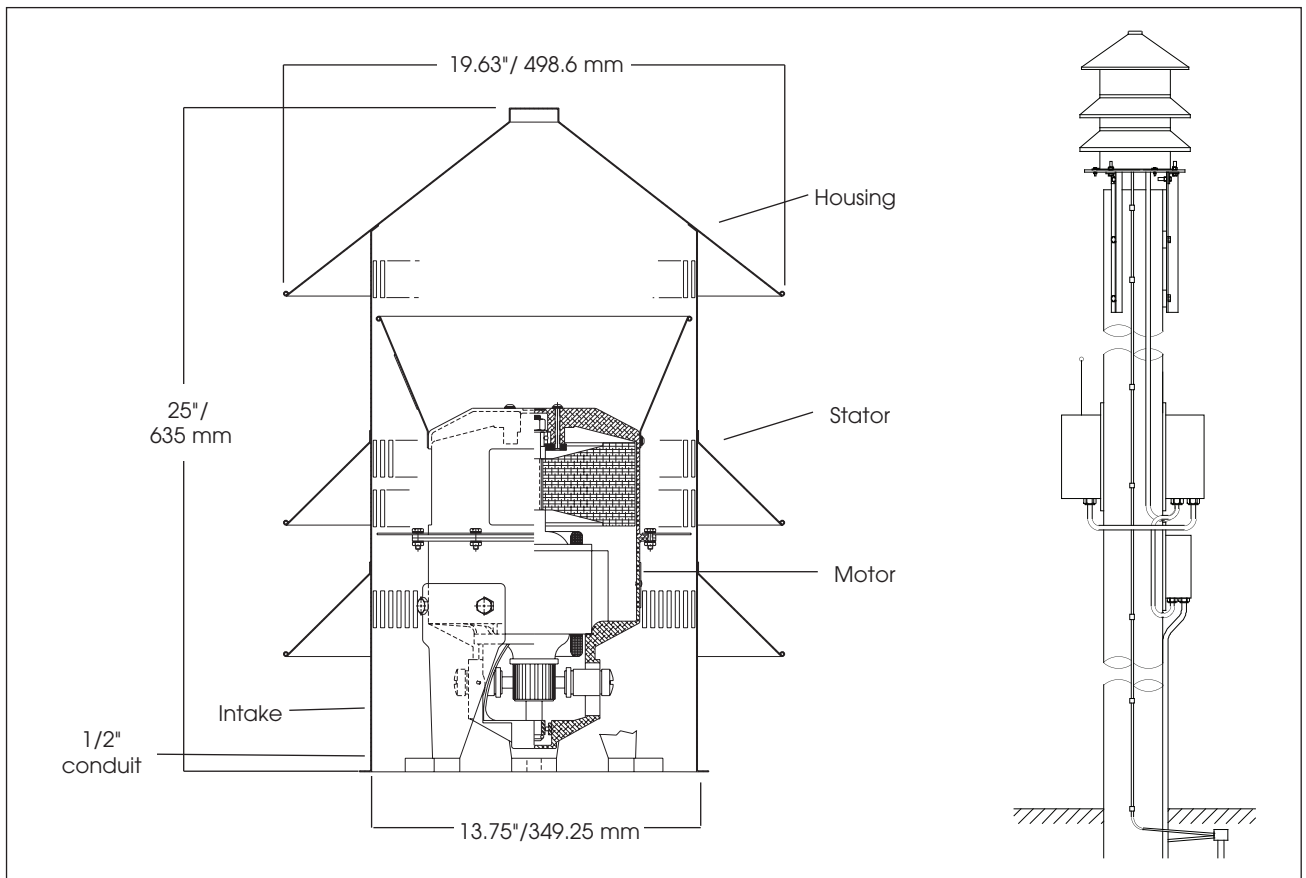
The Model 2 siren and motor starter can be used with the FC controller for further control of the Model 2 siren. The FC provides relay contact closures to activate the RC2W-XXX motor starter. The FC controller can be programmed to activate the siren for a pre-determined interval, can be activated thru radio control or through remote push-buttons.

Federal Signal's Model 2 can serve as an outdoor plant-wide warning system where volume is needed to contrast with high ambient industrial sounds. It is ideal for use in the large, wide open areas found in industrial facilities such as refineries, steel mills and manufacturing plants. The Model 2 can be used for start/stop work signaling, plant evacuation or other emergency situations.

F E A T U R E S

- Available in 120VAC/DC and 240VAC/DC
- High-efficiency design requires only moderate power
- Small compact design
- Powder coating for long life
- Use with RC2W-120/240 motor starter
- Use with FC controller for ease of operation
- Use with FCU/H for remote radio activation
- Produces 102 dBc @ 100'
- Roof mount standard and pole mount optional
- Pole mount with PMS kit

Omni-Directional Siren (Model 2)



SPECIFICATIONS

Recommended Mounting Height:	35-40 feet	10.7–12.2 m
Effective Range*:	1,000 feet	304.8 m
Power Rating:	2 HP	2 HP
Power Requirements:	120VAC/DC	24A, single phase
	240VAC/DC	12A, single phase
Height:	25.5"	65 cm
Diameter:	19.6"	50 cm
Net Weight:	59 lbs	27 kg
Shipping Weight:	85 lbs	36 kg

REPLACEMENT PARTS

Description	Part Number
Bearing (Two Required)	Q8239A045
Brush and Spring (Two Required)	Q8247A020
Brush Holder (Two Required)	Q8247A021

HOW TO ORDER

Contact our Federal Signal Sales Engineers to design a system that meets your specific requirements.

Description	Part Number
120VAC/DC, 102 dBc, Roof mount standard	2-120
240VAC/DC, 102 dBc, Roof mount standard	2-240
120V Motor Starter	RC2W-120
240V Motor Starter	RC2W-240

OPTIONAL ACCESSORIES

Description	Part Number
Pole Mount	PMS
Controller, No radio	FC
Controller, VHF radio	FCH
Controller, UHF radio	FCU