



► Model I-IP15 Series C

15W IP-enabled Speaker

The Informer15 Speaker is a 15-watt, IP-enabled indoor and outdoor speaker. The Informer15 can be used as a warning and alert device with both audible and visual indicators. The audible capabilities include locally stored high-quality, high-powered tones and voice messages. The visual indicators include the use of message board/scrolling display sign support, strobes, lights, and beacons. The Informer15 can be equipped with up to four local initiation devices (switches) to activate the unit locally and to the Commander® controller for mass notification communications.

The Informer15 Speaker has an internal 15-watt amplifier/driver to deliver tone warnings and intelligible voice messages from Informer15 stored memory. The Informer15 also has several unique capabilities when working with the Federal Signal Commander software. Using Commander software, the Informer15 can play text-to-speech, stream WAV files or can broadcast live PA. In addition, Commander software can perform a talk/listen to individual Informer15's to allow call box type communications. The Informer15 also has remote volume control for optimizing sound levels across your alerting area. The remote volume control also includes an ambient-noise-monitoring capability to automatically adjust volume depending on external noise levels.

The Informer15 allows connection of up to four external switches to activate predefined alert events. The Informer15 can be programmed and configured as a standalone device to only use the inputs to activate the Informer15. This may be useful if the location has no network connectivity, but where voice and tone alerts from locally activated inputs is required. The Informer15 can be networked later and the activations can be brought into the Commander system for full system capability. When the Informer15 is networked using the Commander software, alerts initiated at the Informer15 can be used to activate other devices. The Commander software system can also alert emergency personnel via email, SMS, and hand-held radios using optional messaging software.

The Informer15 includes one output to control the visual indicator and output to activate external relay, which can be used to control external devices. The Informer15 has two 1/2-inch NPT opening on the bottom of the speaker for simple installation of pipe-mount devices. The openings allow access to LAN, open collector output, and activation inputs. The Commander system allows multiple configurations for activation of the open collector output or visual indicator during alerts.

The Informer15 is designed for outdoor use and large indoor structures. It is available in a PoE+(802.3 at) power via a local Ethernet model or in a 24Vdc model. All wiring interfaces are accessible via internal connectors and built-in NPT entrances for quick and easy installation.

A P P L I C A T I O N S

- Indoor and Outdoor Locations
- Loud industrial facilities
- Muster or call stations
- Weather alerting
- Campus or school alerting
- Food processing locations
- For use with video security systems
- Plant wide alerting System
- Plant wide Live-PA announcements



Scan to download the
Informer15 Application Note



I-IP15 Series C - 15W IP-enabled Speaker



FEATURES

- Outdoor or indoor IP-enabled speaker for audible and visual alerts
- Speaker rated at 112 dB for tones and 107 dB for pink noise at 10 feet
- Seven standard built-in warning signals: Wail, Steady, Alternate Wail, Alternate Steady, Pulsed Wail, Pulsed Steady, Auxiliary Chime
- Broadcasts live voice, text-to-speech, and pre-recorded voice or tone files
- Deliver intelligible voice messages from locally pre-recorded files
- Pre-recorded files: up to 4000 messages with 17 hours of recording time
- Ambient-noise-level monitoring with automatic volume control
- Alerts can be sent to single devices, groups or zones, or all devices
- Wall mount
- Web interface for configuration
- Four local alarm initiation inputs, with configurable priority to activate unit locally or standalone operation Momentary mode: contact closure sounds alarm for programmed duration. Continuous mode: sounds alarm for duration of closure
- One open collector output paired with 24 Vdc for controlling an external relay
- Integrated Modbus® TCP Industrial PLC interface for control and monitoring
**Series C feature - contact FS support for update information on non-Series C*
- Integrated SIP phone interface for live PA, remote .wav file and function control using standard SIP phones
- High-intensity LED light that can be activated independently or with messages
- Models available with White, Red, Amber, Blue, and Green LEDs
- Wide variety of flash patterns
- Power over Ethernet using 802.3at PoE+ 25.5 W **I-IP15 models*
- 24Vdc Power **I-IP15-024 models*
- Wide operating temperature range
- US/Canadian ETL Listed to UL Std 60065

ADDITIONAL

Network Commander only Features:

- Each device can be remotely configured for volume and noise-level adjustments
- Speaker as microphone for talk-back feature
- Federal Signal Commander software provides activation, full two-way control, and status monitoring
- Optimal CommanderOne® cloud based control with mobile app
- Allows remote software upgrades

SPECIFICATIONS

- Input Voltage: Power over Ethernet (PoE+ 802.3at) **I-IP15 models*
- Input Voltage: 24Vdc Power **I-IP15-024 models*
- Input Current Draw: PoE+ 25.5 W
- Alarm initiating inputs: Four optically Isolated Inputs
- Audio Storage: Prerecorded files—up to 4000 messages with up to 17 hours of recording time
- Operating temperature range: -30°C to +65°C/-22°F to +149°F
- 13.9 inches x 10.2 inches x 10.0 inches
35.3 cm x 25.9 cm x 25.4 cm
- Shipping Weight: Desk Mount 6.19 lbs 2.81 kg

HOW TO ORDER

Description	Part Number
Informer15, PoE+, White LED	I-IP15-W
Informer15, PoE+, Red LED	I-IP15-R
Informer15, PoE+, Blue LED	I-IP15-B
Informer15, PoE+, Amber LED	I-IP15-A
Informer15, PoE+, Green LED	I-IP15-G
Informer15, 24Vdc, White LED	I-IP15-024W
Informer15, 24Vdc, Red LED	I-IP15-024R
Informer15, 24Vdc, Blue LED	I-IP15-024B
Informer15, 24Vdc, Amber LED	I-IP15-024A
Informer15, 24Vdc, Green LED	I-IP15-024G
Kit, I-IP15 Components	I-IP15-KIT1

*Commander is a registered trademark of Federal Signal Corporation
Modbus® is a registered trademark of Schneider Electric, licensed to the Modbus Organization, Inc*



► Model I-IP100AC and I-IP100DC Series C

Informer100 Speaker

Federal Signal's Informer product line now includes an IP-enabled high-powered outdoor speaker. The Informer100 Speaker can be used as a notification device using tones and/or voice. Pair this model with a Federal Signal Commander® system for additional capabilities; for instance, it can be equipped with up to four local alarm initiation devices to activate the unit locally and to activate the Commander controller for mass notification communications.

The Informer100 Speaker has an internal 100 watt amplifier and driver to deliver intelligible voice messages from pre-recorded files or from the Federal Signal Commander VOIP network system. Ambient Level Monitor enables speaker to automatically adjust speaker volume in relationship to ambient noise level. It also has remote volume control for optimizing sound levels across your alerting area.

Notifications and alerts can be live voice, text-to-speech, pre-recorded messages and/or tone files. When used with optional Commander notification software, alert messages initiated from the Informer100 Speaker can be sent to emergency personnel via email, SMS, hand-held radios; and can also be used to activate other Informer units and sirens.

Informer100 Speaker includes two relay outputs for controlling strobes or other devices. It's designed for outdoor use or large indoor structures; and available in 24VDC or 120/240VAC. All wiring interfaces accessible via internal connectors for quick and easy installation.

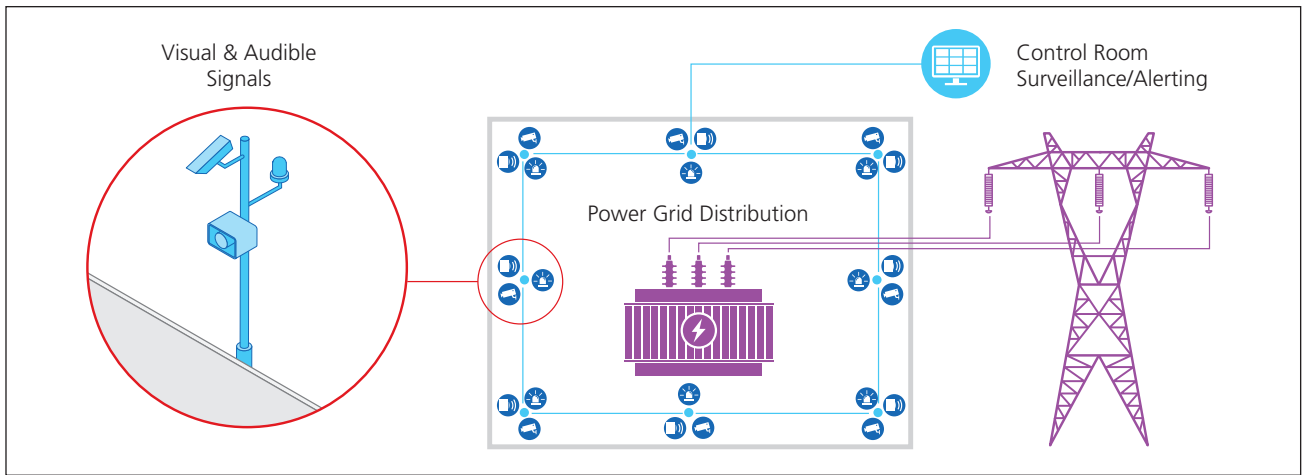
The Informer100 Speaker is an ideal solution for existing notification systems where lack of coverage exists and the unit can be used as a call station where emergency alert buttons are required.

F E A T U R E S

- Indoor/Outdoor IP enabled speaker with high powered voice and tone
 - Available in 24VDC or 120/240VAC
 - Ambient SPL monitor with automatic volume control
 - Remote volume control
 - Broadcasts live voice, text-to-speech and prerecorded voice or tone files
 - Integral 100 watt amplifier and Ethernet interface simplifies installation
 - Optional scrolling message display
 - Remote firmware updates over Ethernet
 - 17 hours of audio storage with up to 4000 .WAV files**
 - 163 standard messages included
 - Fully supervised using Commander software
 - Wall or pole mount available
 - Four initiation inputs, i.e. Panic button alarm or non-networked stand alone mode
 - Two configurable AC/DC relay outputs
 - Optional visual LED or strobe alerting devices available*
 - Web interface for configuration
 - Modbus® TCP Enabled interface for control and monitoring**
 - SIP integrated phone interface for live PA, remote .WAV file and function control using standard SIP phones**
 - NEMA 4X outdoor rated
 - UL and cUL Listed
 - UL Marine Rated
- * Must use visual device rated 2A or less
** Series C feature



Informer100 Speaker (I-IP100AC and I-IP100DC Series C)



SPECIFICATIONS

- Operating Temperature: -40°F to 50°F @ 20% duty cycle/ (-40°C to 104°C)
- One mechanical relay output rated 2 A at 30 Vdc or 250 Vac, 25 A max in rush, N.O. dry contact. One DC solid-state relay output rated 5 A at up to 28 Vdc, current limited
- One AC solid-state relay output rated 1 A at 20 to 264 Vac, zero crossing switched
- Tone and voice compatible with Federal Signal Commander and UltraVoice controllers (Requires Commander version 14.8.x or higher)
- Small size with rugged construction
7 in x 9 in 10 in (178 mm x 229 mm x 254 mm)
- Input: 24VDC, 5.15A maximum 120/240VAC, 50/60Hz, 1.5A/78A maximum
- Maximum Sound Pressure Level 120 dB (± 2 dB) @ 10' (130 dB (± 2 dB) @ 1 m)
- Wired Ethernet
- Adjustable volume control and ambient noise monitoring with auto-level adjustment
- Wall or pole mount options
- Up to four direct wire input for customer supplied panic button alarm
- Requires minimal network bandwidth and uses TCP/IP protocol
- Works with redundant Commander network servers for reliable fail-safe operation
- Federal Signal Commander software provides full two-way control and status monitoring of the Informer100
- I-IP100DC Net Weight: 16.2 lbs 7.35 kg
- I-IP100AC Net Weight: 19.2 lbs 8.71 kg

HOW TO ORDER

Description	Part Number
24VDC 100 watt wall mount	I-IP100DC
120/240VAC 100 watt wall mount	I-IP100AC
Small (6" or less) Pole Mount Bracket	I-IP100-PM
Large (over 6") Pole Mount Bracket	I-IP100-PMW
Omni Directional Option for IP Speaker	I-IP100-OMNI
Informer100 Speaker requires Federal Signal Commander application software (sold separately)	
Informer100 Speaker can be field configured or factory pre-configured to customer requirements. Contact your local representative for a quotation.	

OPTIONAL ACCESSORIES

Description	Part Number
Indoor Yellow Station – Push & Turn Reset Button "EVACUATION"	PSEV-Y
Indoor Yellow Station – Push & Turn Reset Button "EVACUATION"; with Sounder Cover	PSEVSC-Y
Indoor Red Station – Push & Turn Reset button "EMERGENCY"	PSEM-R
Indoor Red Station – Push & Turn Reset button "EMERGENCY"; with Sounder Cover	PSEMSC-R
4-button push station (Indoor)	PBS-4
Hazardous Location LED Light 24VDC	225XL-024X^{1,2}
Hazardous Location LED Light 120-240VAC	225XL-120-240X^{1,2}

SERVICE PARTS

Description	Part Number
IP Controller Service Part	Q-20000314
AC Speaker Service Part	Q-IP100AC
DC Speaker Service Part	Q-IP100DC

¹ "X" Indicates color: (A) Amber, (B) Blue, (C) Clear, (G) Green, and (R) Red

² The light is powered from the same source as the speaker

See <https://www.fedsig.com/signaling-devices> for other lighting options

Commander is a registered trademark of Federal Signal Corporation
Modbus® is a registered trademark of Schneider Electric, licensed to the Modbus Organization, Inc
Patent Pending



► Model UVRI-B

UltraVoice® Indoor Remote Interface Controller

The UltraVoice® Remote Interface Controller, Model UVRI-B, establishes a communication link between an isolated location and Federal Signal's Commander® alerting and notification system; creating a fully integrated indoor and outdoor Mass Notification System. UVRI-B's primary application is to provide a communication bridge, allowing public safety official to expand their alerting and notification capabilities. The UVRI-B can interface with an individual buildings fire alarm panel, and is designed to provide remote control status and monitoring. The UVRI-B is a direct indoor replacement for the UVRI.

Model UVRI-B can be equipped with a high capacity digital voice storage device for simple and/or complex voice messages. When paired with Federal Signal's Commander control system, UVRI-B offers the unique capability for a remote operator to record and broadcast urgent message notifications, or to activate VOIP communications. When local control and activations are required, the UVRI-B provides an easy to use local user interface with push button control for eight functions and a local microphone input for live voice announcements.

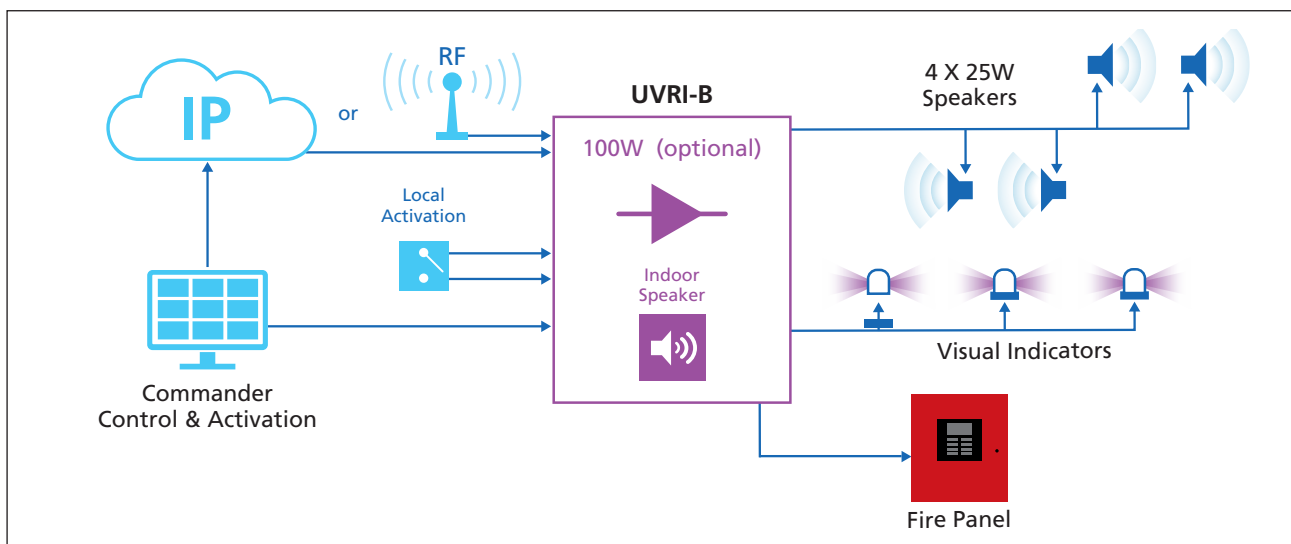
The UVRI-B has an IP interface that allows for simple high-speed two-way control and activation. Additionally, the UVRI-B can be equipped with two-way VHF/UHF radios, such as Motorola Vertex transceivers, for wireless communication to the Federal Signal Commander control system. The UVRI-B also supports cellular communication. UVRI-B utilizes secure digital data transfer methods via 128/256 bit encryption to ensure no malicious or accidental operation of the system. Status monitoring provides information on the following conditions: AC power, battery voltage, enclosure intrusion, charger, local activation, and remote system operation. It can also be configured to support Ambient Noise Monitoring utilizing an external microphone for noise level detection.

The UVRI-B provides system maintenance improvements, an integrated IP interface, ambient noise level detection for automatic sound level adjustment, integrated 12VDC charger, simplified wiring, integrated speaker and an optional 100 watt amplifier. The speaker line is supervised when using distributed speakers.

FEATURES

- Indoor use
- Flexible communications, IP standard/radio or cellular optional
- 12VDC and 120/240VAC operation with 12VDC battery back up
- Seven factory installed siren tones
- Removable SD card for local storage of voice/tone messages
- Capable of storing over 4000 voice/tone messages
- Built in IP interface with downloadable voice and tone messages
- Built in 2 watt amplifier and speaker
- Optional 100 watt amplifier
- Relay outputs for control of external devices, i.e. visual, door locks
- Eight inputs for activation of announcement alerts or alarms
- Audio out for public address interface
- Fire alarm panel interface
- Self-diagnostics with reporting for major system components
- Secure 128- and 256-bit encryption options
- Local microphone access
- Can be configured for ambient noise monitoring with external microphone
- UL and cUL Listed
- CSFM Approved

UltraVoice® Remote Interface Controller (UVRI-B)



SPECIFICATIONS

Operating Temperature ¹ :	-22°F to +150°F/-30°C to + 65°C
Humidity:	0-98% non-condensing
Input Voltage (nominal):	120/240 VAC
Current:	See technical manual
Battery Voltage:	14VDC, 13.7 volts (nom.)
Battery Current:	< 260 mA standby current <300 mA during a function < 7A during radio transmit
Standby Time:	Up to 45 hours with Vertex transceiver
Audio output UVRI-B board (Q20000253)	10/25Vrms
Audio output optional amplifier (Q20000324)	25Vrms
Relays 1-4	30VDC/240VAC 8A max
Small size with rugged construction: 20.36 in x 16.30 in x 6.62 in (517 mm x 414 mm x 168 mm)	
UVRI-B (Weight without radio) ²	
Net Weight	41.4 lb/18.8 kg
Net Shipping Weight	45.4 lb/20.6 kg

Note: ¹UVRI-B can be configured for 24VDC operation. Contact factory for details.

²See the installation manual for additional model UVRI-B shipping weights.

HOW TO ORDER

Contact our Federal Signal Sales Engineers to design a system that meets your specific requirements.

Description	Part Number
Remote Interface unit, IP Enabled with Battery Back-up	UVRI-B
Remote Interface unit, IP Enabled with Battery Back-up and 100 Watt Amp	UVRI-B100
Remote Interface with VHF Radio	UVRI-BH
Remote Interface with VHF Radio with 100 Watt Amp	UVRI-BH100
Remote Interface with UHF Radio	UVRI-BU
Remote Interface with UHF Radio with 100 Watt Amp	UVRI-BU100

ACCESSORIES

Description	Part Number
Ambient Noise Microphone	X-SM1-FS1
Noise Canceling Push to Talk Microphone	MNC-MC
24 VDC power cable	Q17501999A

REPLACEMENT PARTS

Description	Part Number
Control Board	Q20000253
100W Amp Board	Q20000324
Battery 12V. 12 Ah	Q155193A

©VERTEX is a trademark of Vertex Standard LMR, Inc.



► Model UVIC-B

UltraVoice® Indoor Controller

The Federal Signal UltraVoice® Integrated Controller, Model UVIC-B, is a Mass Notification panel designed to deliver clean, clear, amplified audio to a network of speakers (sold separately). The UltraVoice Integrated Controller can be used in a standalone application or networked with an outdoor Mass Notification system. The controller provides high quality broadcast of live or pre-recorded voice and tones. The UVIC-B continuously monitors speaker circuits with automatic notification of system failures.

The UVIC-B is housed in an indoor NEMA1 style cabinet, with provisions for up to two 400 watt amplifiers (UV400 sold separately). Each controller requires 120 or 240 VAC and contains two sealed lead-acid batteries, providing over 30 minutes of operation in the event power has been lost. The UVIC-B can be activated via radio (UHF/VHF/P25, cellular or IP (fiber/networked) from a remote location and can also interface a UVLOC-B for remote activation. This indoor controller has up to 8 preset activation functions, and Live PA broadcasts with the addition of a Local microphone (sold separate).

The UVLOC-B is a self-contained, lockable enclosure with supervised communications to the UVIC-B. Live Public Address is also available. Activation of pre-recorded messages can be done locally, via the UVLOC-B, via Commander or via an SS2000+. An SS2000+ is a system wide activation point which is typically equipped with a base station radio (approved radio license required at time of order).

The UltraVoice Integrated controller can be activated, managed, set-up and monitored using the Federal Signal Commander® Software which allows simple “point and click” activation and indication of alarms or fault conditions. When used with Commander Assist, the Commander Control Software provides an unique and easy-to-use creation of site specific, alert specific alerting messages.

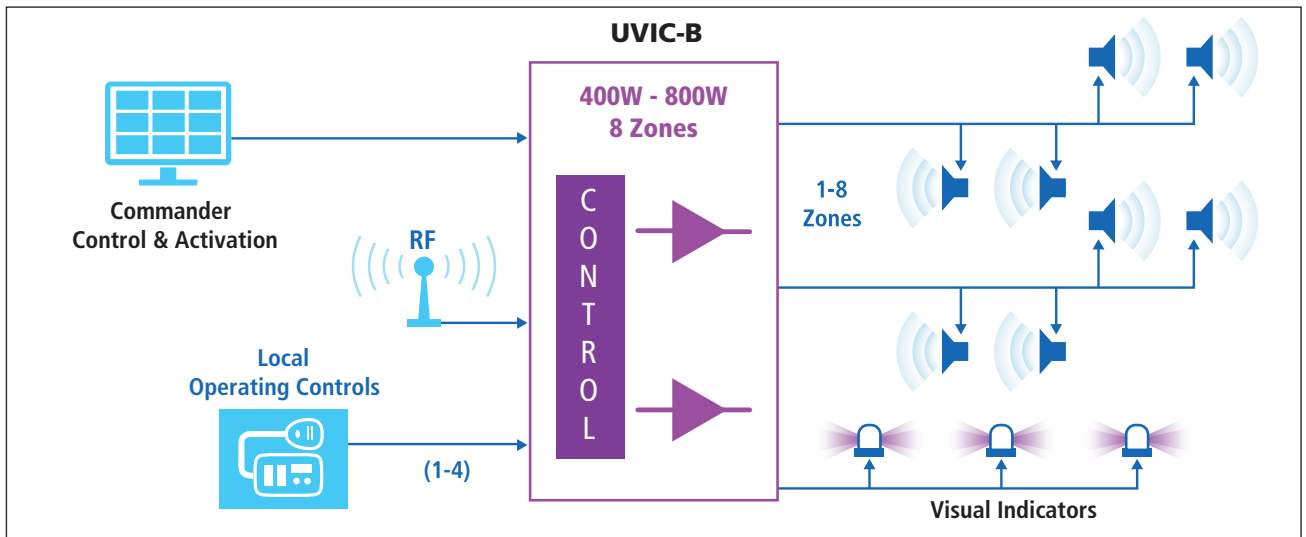
A UVIC-B can be used to power a complete line of indoor or outdoor speakers. Federal Signal’s outdoor speakers include the DSA series, MOD1004B or MOD2008B. This controller can also be used with the AM300 and EN series or any 25/70V speakers when equipped with the optional UVADM. For end-of-line speaker monitoring the speakers require use of capacitively coupled devices.

The UVIC-B also incorporates 4 stand-alone relays for activation of external devices, the UV-ARM is not supported with this new system.

F E A T U R E S

- Flexible communications via radio, Ethernet (IP), cellular with two-way status monitoring
- Live Public Address
- Standard and optional tones
- Optional voice message alerts
- Supervised 25/70Vrms Audio speaker output (UVADM)
- Secure communications with 128/256 AES-Bit Encryption
- Programmable relays for control of external equipment
- Local microphone access
- NEMA1 Indoor cabinet
- End-of-line speaker or voltage/current monitoring
- Supervised Local Operating Console for remote activations
- Built in relays for control of external devices
- Battery backup – 72 hour (400 Watt)
- UL and cUL pending

UltraVoice® Indoor Controller (UVIC-B)



SPECIFICATIONS

Operating Temperature:	-22°F to 149°F / -30°C to 65°C
Input Voltage:	120 or 240VAC, 50/60 Hz Single-phase
Input Current:	5A AC, 45A DC Max
Internal Operating Voltage:	24 VDC
Continuous Signaling Time:	30 minutes
Relay Contact Rating:	8A at 24 Vdc or 250 Vac
Dimensions H x W x D:	27" x 20.3" x 10.7" (685.5 mm x 515.62 mm x 271.78 mm)
Net Weight: (no amplifiers)	64.55 lbs 29.28 kg
Shipping Weight:	200 lbs 90.7 kg

OPTIONAL ACCESSORIES

Description	Part Number
Amplifier, 400 watt	UV400
Audio distribution module for zone and voltage selection (25/70 V)	UVADM
Local operating console	UVLOC-B
8-port LOC Expansion	UVLOC-IM-B
Telco Base, Landline	TB-LL
Digital voice mini SD card	DVSD
Digital Voice Recording Fee	DVR
Noise canceling push to talk microphone	MNC-MC
Wall mounted speaker strobe	ENWSSPA
Wall mounted strobe	ENWSTPA
Ceiling mounted strobe	ENCSTA

HOW TO ORDER

Contact our Federal Signal Sales Engineers to design a system that meets your specific requirements.

Description	Part Number
Indoor Controller, 120 VAC	UVIC-B1
Indoor Controller, 240 VAC	UVIC-B2
Indoor Controller, 120 VAC, UHF	UVIC-B1U
Indoor Controller, 120 VAC, VHF	UVIC-B1H
Indoor Controller, 120 VAC, IP-enabled*	UVIC-B1IP
Indoor Controller, 240 VAC, UHF	UVIC-B2U
Indoor Controller, 240 VAC, VHF	UVIC-B2H
Indoor Controller, 240 VAC, IP-enabled*	UVIC-B2IP

*Requires IP Networking Software



UVLOC-B

UltraVoice is a registered trademark of Federal Signal Corporation.

► Models I-HIOW, I-UIOW, I-HIO and I-UIO

Informer Tone-Alert Radio



Alerting the public of an emergency situation is now easier and more reliable than ever with Federal Signal's Informer I-HIO and I-UIO radio receivers. Informer units are designed for one-way radio alerting applications.

Informer Radio receivers come in either VHF or UHF-band models. Standard units decode DTMF, single-tone, and two-tone sequential signals (optionally available are units for decoding EAS/SAME or Federal Signal digital protocols). The Informer is capable of generating four separate alarm sounds that can be accompanied by a live voice message.

Informer units include a LED panel that flashes to immediately indicate transmission of an emergency alert. Other features include a 600-Ohm audio output, dual (N.C./N.O.) relay for external control, built-in diagnostics, and an LED test indicator. The receiver can be programmed to disable the "monitor" button in order to prevent end-users or unauthorized persons from listening to local-channel activity.

The Informer I-HIO and I-UIO desktop versions feature an external AC transformer for power, as well as built-in battery backup. All wiring is routed to connectors located on the back of the unit for convenient access.

Informer I-HIOW and I-UIOW receivers are designed to be wall mounted or recessed into the wall. All wiring is contained within the aluminum case, and five pre-punched, easy-to-remove conduit holes are available to facilitate wiring connections into and out of the unit. Informer I-HIOW and I-UIOW receivers include a 115/230VAC power supply pre-wired to internal terminal blocks and a built-in battery backup. These models feature mounting holes for easy top mounting of an optional Federal Signal LP1 Strobe light. Units are pre-wired to accommodate the LP1 Strobe which operates off the Informer's internal power supply.

Informer units are factory programmed for narrow-band operation and come with a one-year warranty (see owner's manual).

F E A T U R E S

- Instant alerting and notification for emergency situations
- Rugged metal enclosure with internal wiring
- High output speaker for tone and voice notifications
- Optional EAS/SAME or Federal Signal digital protocols
- Windows®-based software for easy programming
- DTMF and two-tone decoding – standard
- Desk or wall mounting models
- External audio and control capabilities
- US ETL Listed to UL Std 60065
- Canadian ETL Listed to UL Std 60065 for I-HIOW and I-UIOW

Informer Tone-Alert Radio (I-HIOW, I-UIOW, I-HIO and I-UIO)

SPECIFICATIONS

	150-170	405-420* 450-470
Frequency Range (MHz) Narrowband:	N	N
Intermodulation Rejection per EIA-603, part 4.1.9	>-75	>-70
Adjacent Channel Selectivity per EIA-603, part 4.1.6	>-70	>-65
Spurious Response & Image Rejection (dBm) per EIA-603, part 4.1.8	>-75	>-70

*Frequency 405-420 special order requires ES-SMV. Contact factory for quote.

Reference Sensitivity ¹ : (12dB SINAD)	< 0.35 microvolts
Hum and Noise ¹ : Squelched	> -57 dBc
Unsquelched	> -37 dBc

AC Transformer (UL Listed)

Input:	I-HIOW/UIOW	115 to 230VAC, 50/60 Hz
	I-HIO/UIO	108 to 128VAC, 60Hz
Operating Environment:	-22° F to 140° F	-30 to +60°C
Operating Current:	I-HIOW/UIOW	350mA Maximum
	I-HIO/UIO	<400mA Max

Standard Signaling Formats

Number of codes	Up to 6 activation codes, programmable
Two-Tone Sequential or Single Tone	300 Hz-3000 Hz, tolerance +/- 1.5%
DTMF	1-12 digits
Two-Tone and DTMF Decode Sensitivity	<20 dBc SINAD
CTCSS/CDCSS	

Decode with two-tone codes >400 Hz only.
Tone frequency range 36.6 to 254.1 Hz,
Tone accuracy >.05Hz
Tone decode bandwidth +/- 1.1%

Digital, golay (23,12) 23 bit digital word
Digital data rate 134.4 Hz nominal

Decode	Turn on time <250ms., Turn off Time <1.2s.
Acoustic Output: ² I-HIOW/UIOW	80 dBc
I-HIO/UIO	85 dBc

External Control/Audio/Antenna

Dual (N.O./N.C.) relay:	5a @ 30VDC
600 Ohm output:	50mv - 2.5vpp into 600 Ohms
Antenna:	Removable rubber duck
External Antenna Connector:	50 Ohm, BNC female

Physical Dimensions H x W x D:

I-HIOW/UIOW	8.3" x 7" x 3.3"	
	210.8 mm x 177.8 mm x 83.82 mm	
I-HIO/UIO	5" x 7" x 2-1/2"	
	127 mm x 177.8 mm x 63.5mm (10°incline)	
Weight: I-HIOW/UIOW	3.2 lbs	1.45 kg
I-HIO/UIO	4 lbs	1.81 kg

¹ Receiver specifications referenced to TIA/EIA 603

² Acoustic Output measured at 10' on axis in an anechoic environment.
User configurable soft-tones (approximately 55 dBc).

HOW TO ORDER

Description	Part Number
VHF high band, 151-174 MHz - wall mount*	I-HIOW
UHF band, 450-470 MHz - wall mount*	I-UIOW
VHF high band, 151-174 MHz - desk mount	I-HIO
UHF band, 450-470 MHz - desk mount	I-UIO

There is a programming fee associated with Informers programmed at the factory. Contact your local representative for a quotation.

*Units build prior to mid-2015 do not have battery backup.

OPTIONAL ACCESSORIES

Description	Part Number
Installed EAS	I-EAS
Field installable EAS kit	I-EAS-KIT
AFSK installed	I-FSK
Field installable AFSK kit	I-FSK-Kit
Programming software	I-SW
12VDC Strobe compatible with I-HIO and I-UIO models (can be powered by internal power supply)	LP1-012*
Battery	155191A

*(A) Amber, (B) Blue, (C) Clear, (G) Green or (R) Red

Optional Signaling Formats

Federal Signal (MSK) Digital Option	1200, N, 8, 1 Synchronous, 1200 Hz mark tone, 1800Hz space tone
Digital Decode Sensitivity	<20 dBc SINAD
EAS/SAME Option	User programmable to any EAS event codes and up to three (3) location codes
EAS/SAME Decode Sensitivity	<20 dBc SINAD

A flush mount kit is included for recessed applications as shown.

